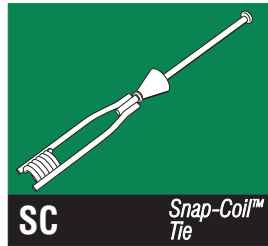




# Snap-Coil Tie™

Transition Tie



MADE IN USA  
Patent Pending

The Steel Dog® **Snap-Coil™ Tie** is a multipurpose Transition Tie™ for “job-built” plywood concrete forms. With a standard-duty, button head snap tie electronically welded to a two-strut, 1/2” coil tie end, the **Snap-Coil™ Tie** allows the user to take advantage of the versatility of threaded coil rod for one-sided forming, long ties, and other purposes, while still using familiar, low-labor-cost means of attachment to formwork (slotted wedges, Jahn brackets).

### TYPICAL USES:

- **One-sided forming** (with epoxied coil rod, drop-in anchors, or other hardware)
- Making on-the-spot **long ties** with a length of 1/2” coil rod
- **Adjustable length ties** (battered walls, unusual forming situations)
- **Blind side walls** with Stay-Form® stay-in-place expanded metal mesh panels and Steel Dog® Rebar Hooks

**MATERIAL:** Snap tie end and wire struts: AISI C1038 carbon steel.

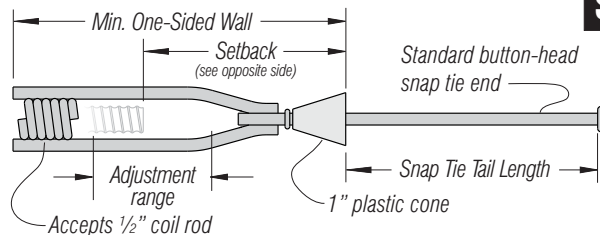
**FINISH:** None. (Zinc coatings available: consult factory.)

**MAXIMUM SAFE WORKING LOAD:** 2250 Lbs. (Based on approximately 2-to-1 safety factor).

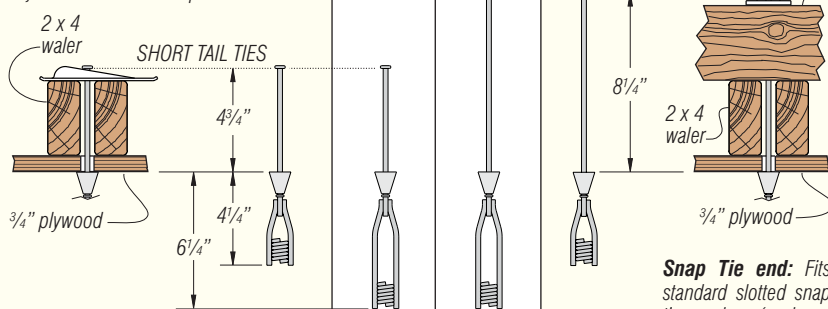
### INSTALLATION:

#### ALL APPLICATIONS

- 1/2” coil rod must be threaded completely through coil and extend at least 1/4” past coil
- Do not bend any portion of tie. Bent or damaged ties will fail at less than rated load; do not use
- See opposite side for help in calculating coil rod length for different applications



For maximum range of adjustment and lower cost use the highlighted **standard ties**, when wall thickness permits.



	STANDARD TIES			
Product Code	SC-44	SC-64	SC-68	SC-48
Safe Working Load*	2250 lbs	2250 lbs	2250 lbs	2250 lbs
Break-back	1"	1"	1"	1"
Min. One-Sided Wall	4 1/4"	6 1/4"	6 1/4"	4 1/4"
Snap Tie Tail Length	4 3/4"	4 3/4"	8 1/4"	8 1/4"
Adjustment Range	1/4"	2 1/4"	2 1/4"	1/4"
Coil Rod Setback	2 1/2"	3 1/2"	3 1/2"	2 1/2"
Box Quantity	100	100	100	100
Box Weight	24 lbs	29 lbs	33 lbs	28 lbs

**Snap Tie end:** Fits standard slotted snap tie wedge (such as Dayton Omni Wedge), or Jahn bracket

**Coil Tie end:** Fits 1/2” coil rod (1/2”-13 NC machine threads also available).

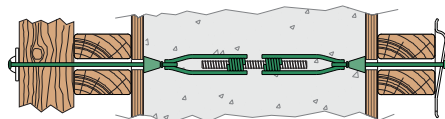
\*Approximately 2-to-1 Safety Factor

## ADJUSTABLE LENGTH TIES

**Snap-Coil™ Ties** can be threaded back-to-back to create long- or unusual-length ties with different end configurations. For example, a 27 1/2” tie with a long tail on one end and a short tail on the other can be easily assembled on-the-spot from standard components.

### TYPICAL APPLICATIONS:

- Battered walls
- Mass pours
- Pile caps
- Pilasters
- Emergencies



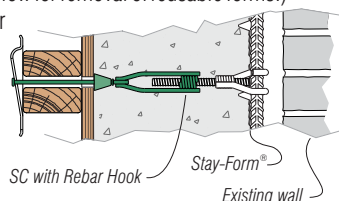
Ties made with **Snap-Coil™ Ties** have the additional advantages of:

- Field adjustability of length (esp. useful for battered walls)
- Reliable strength (all components are threaded-together, **load-rated components**, eliminating concerns about the strength of field welds or bolted connections with other long-tie techniques)

## BLIND SIDE WALLS

Steel Dog® **Snap-Coil™ Ties** and **Rebar Hooks** provide a fast and low-cost way to use **Stay-Form®** stay-in-place expanded metal mesh to form blind side walls (where clearances on one side are too tight to allow for removal of reusable forms.)

- Lower labor cost to connect to rebar studs
- Field-adjustable length
- Any size tie made from standard components (no custom-ordering needed)



## ONE-SIDED FORMING

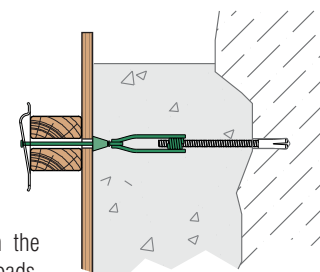
**Snap-Coil™ Ties** provide a simple and low-cost solution for securing formwork to existing structures for one-sided forming. They can eliminate additional hardware and labor over other methods.

### TYPICAL EXISTING WALLS:

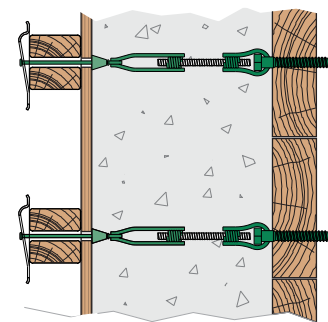
- Concrete
- Wood lagging
- Brick
- Hollow concrete block
- Sheet piling
- Rock

**ANCHORING MEANS:** Depending on the existing wall material and the design tie loads, the threaded rod may be secured with:

- Drop-in anchors
- Epoxy
- Steel Dog® **Coil-Lags™**
- Steel Dog® **Rebar Hooks**
- Pivot brackets
- Plate washers and nuts
- Toggle ties
- Rock bolts



SC with Drop-in anchor



SC's used with Coil-Lags™ attached to wood lagging

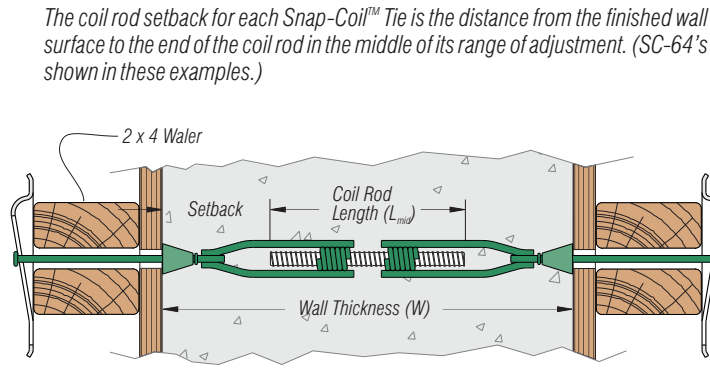
## Determining Length of Coil Rod

### Back-to-Back Adjustable

Take the desired wall thickness and subtract twice the setback to get the median length of coil rod. This will give a total range of adjustment of  $\pm 2$  inches for the SC-64 and -68 and  $\pm 1/4$  inch for the SC-44 and -48.

SC-44, SC-48:  $L_{mid} = W - 5''$

SC-64, SC-68:  $L_{mid} = W - 7''$



The coil rod setback for each Snap-Coil™ Tie is the distance from the finished wall surface to the end of the coil rod in the middle of its range of adjustment. (SC-64's shown in these examples.)

### Stay-Form® Blind Side Wall with Rebar Hook

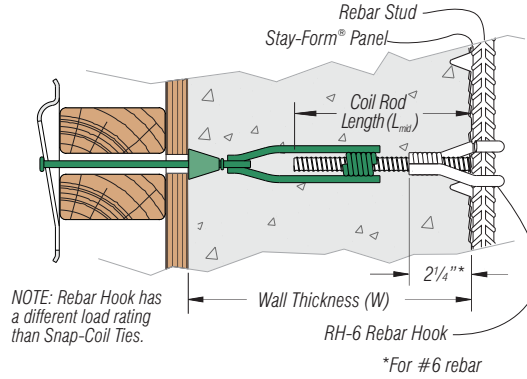
In this application, Steel Dog® Rebar Hooks are used to connect to the rebar studs used to back up Stay-Form® panels. Take the desired wall thickness and subtract the setback for the selected SC. Consult Stay-Form® literature for proper tie and rebar spacing/sizing. (The RH-6 may be used with up to #6 rebar.)

SC-44, SC-48:  $L_{mid} = W - 2\frac{1}{2}''$

SC-64, SC-68:  $L_{mid} = W - 3\frac{1}{2}''$

Minimum Wall (SC-44, SC-48):  $6\frac{1}{2}''$

SC-64, SC-68:  $8\frac{1}{2}''$



NOTE: Rebar Hook has a different load rating than Snap-Coil Ties.

\*For #6 rebar

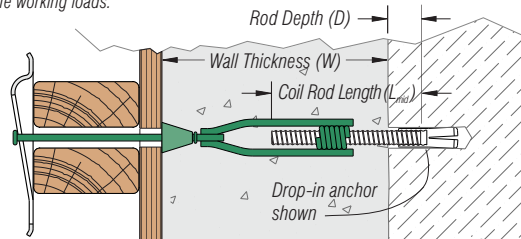
### One-Sided Ties

Secure the coil rod to existing wall with mechanical anchor, by directly epoxying rod into drilled hole, or other means. (SC's can be supplied with  $\frac{1}{2}''$ -13NC threads to fit anchors which accept only machine threads.) Add the rod depth to the wall thickness, then subtract the coil rod setback to determine length of coil rod in middle of adjustment range.

SC-44, SC-48:  $L_{mid} = (W + D) - 2\frac{1}{2}''$

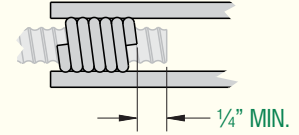
SC-64, SC-68:  $L_{mid} = (W + D) - 3\frac{1}{2}''$

NOTE: Follow manufacturer's recommendations for proper installation of anchor and allowable safe working loads.



## CAUTION

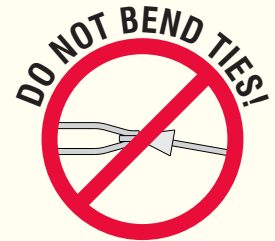
- DO NOT EXCEED THE SAFE WORKING LOAD (2250 LBS.)
- DO NOT BEND OR HAMMER ON ANY PART OF THE TIE. DISCARD ANY BENT OR DEFORMED TIES
- THREADED ELEMENT MUST EXTEND AT LEAST  $\frac{1}{4}''$  BEYOND COIL (SEE DIAGRAM)



- ADJUST EACH TIE TO PROPER LENGTH TO ENSURE EVEN DISTRIBUTION OF LOAD

### ONE-SIDED FORMING:

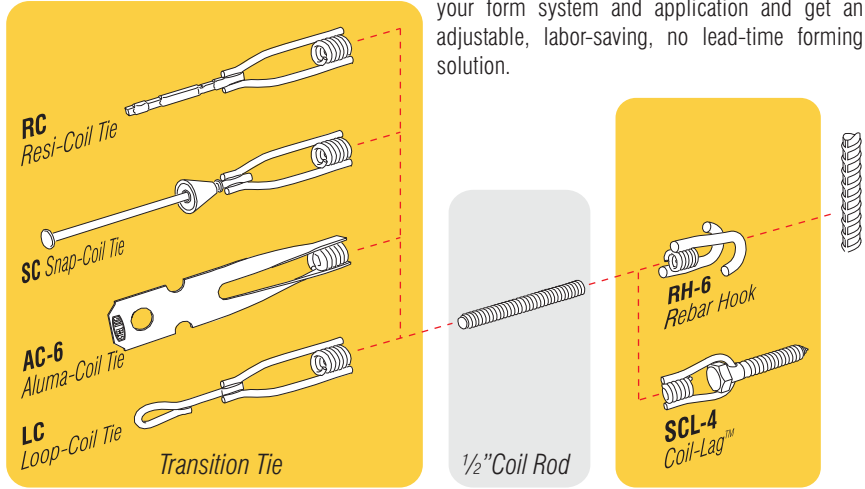
- IT IS THE RESPONSIBILITY OF THE USER TO ENSURE ADEQUATE ANCHORAGE TO EXISTING WALL. FOLLOW ANCHOR MFR'S INSTRUCTIONS
- USE NARROWER PANELS OR OTHER TECHNIQUES TO DECREASE TIE SPACING IF UNSURE OF ANCHORAGE
- KNOW YOUR TIE LOADS



## Off-the-Shelf Solutions for Many Forming Problems

### Choose Your Forming System

The Steel Dog® Snap-Coil™ Tie is part of a versatile family of off-the-shelf, interchangeable forming components using industry-standard  $\frac{1}{2}''$  coil rod as the threaded element. Choose the components for your form system and application and get an adjustable, labor-saving, no lead-time forming solution.



### Available From: