

**RTOF** Offset Resi-Tie

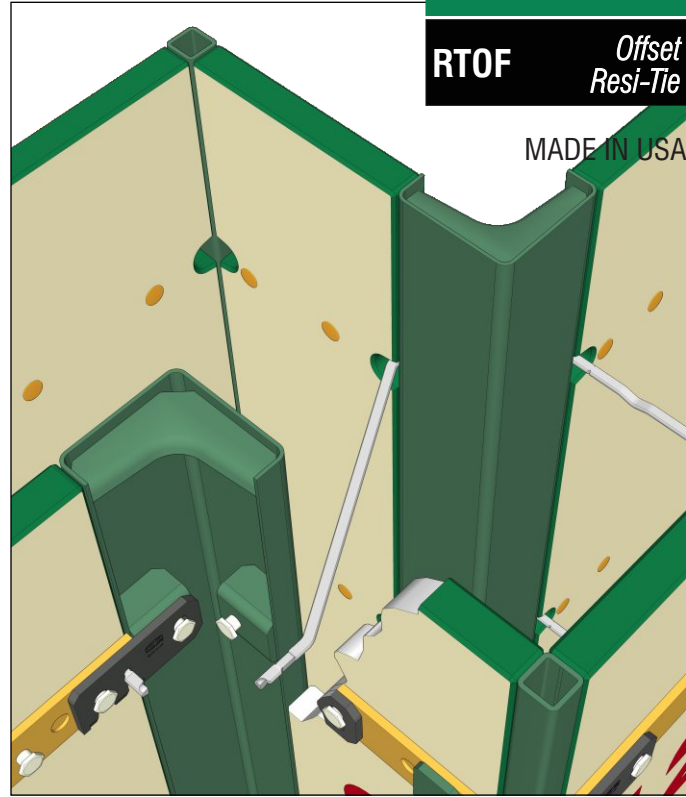
MADE IN USA

## Strengthen Wall Offsets with Ties

Eliminate perforated banding and other costly methods of tying short wall jogs

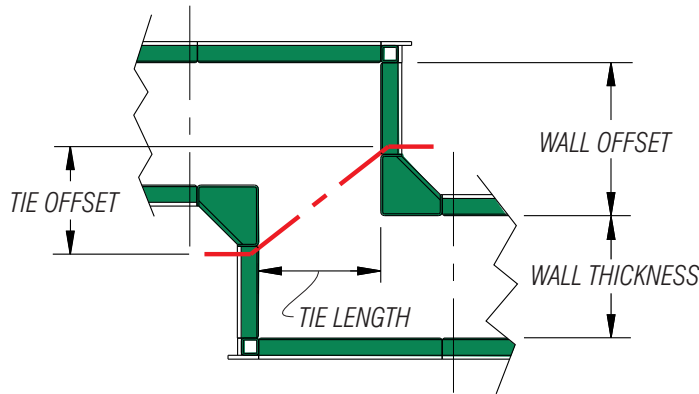
Steel Dog® **Offset Ties** are precisely bent resi-ties meant to strengthen offset sections of foundation walls where it is not possible to use a straight tie.

Made for most common combinations of wall thickness/wall offset.

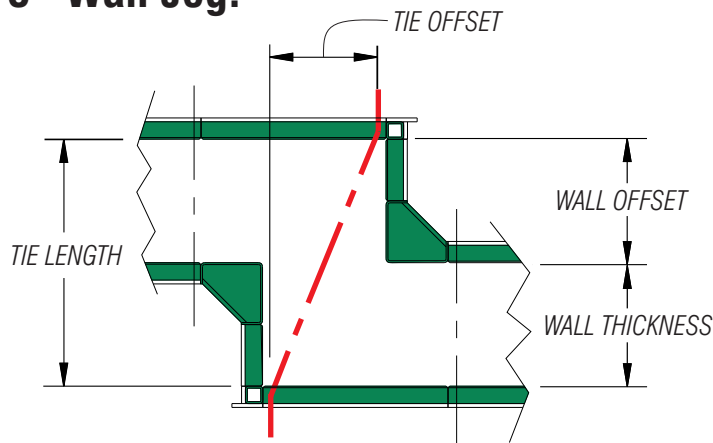


### Typical Applications:

#### 10" and 12" Wall Jogs:

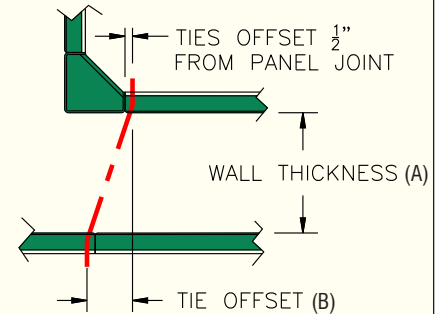


#### 8" Wall Jog:



### Ordering information:

Product code specifies wall thickness (between panels that tie connects) (A) and tie offset (B). See reverse page for common wall jogs.



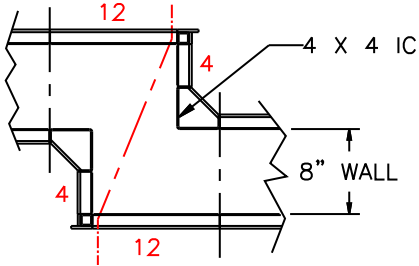
RTOF- 8 - 5

- Tie offset (B)
- Wall thickness for tie (A)

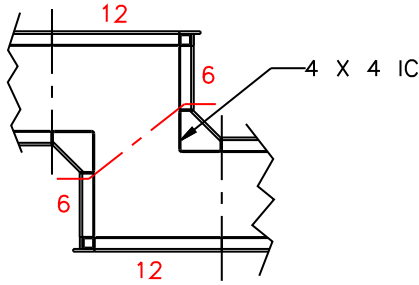
Product Code	Wall Thickness (A)	Tie Offset (B)	Common Wall Jogs		Box Qty.	Box Weight
			Wall Thkness	Wall Jog		
RTOF-16-7	16"	7"	8"	8"	100 pcs	36 lbs
RTOF-8-7	8"	7"	8"	10"	100	25 lbs
RTOF-8-5	8"	5"	8"	12"	100	23lbs
RTOF-18-9	18"	9"	10"	8"	100	41 lbs
RTOF-10-9	10"	9"	10"	10"	100	30lbs
RTOF-10-7	10"	7"	10"	12"	100	28 lbs
RTOF-20-11	20"	11"	12"	8"	100	45 lbs
RTOF-12-11	12"	11"	12"	10"	100	34 lbs
RTOF-12-9	12"	9"	12"	12"	100	32 lbs

# Offset Ties for Common Wall Jogs:

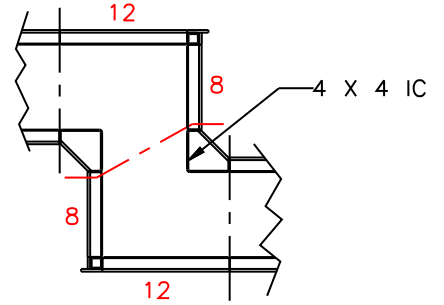
8" WALL  
8" JOG  
**RTOF-16-7**



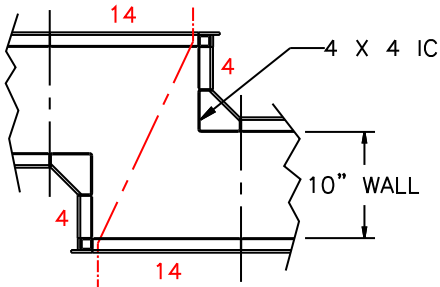
8" WALL  
10" JOG  
**RTOF-8-7**



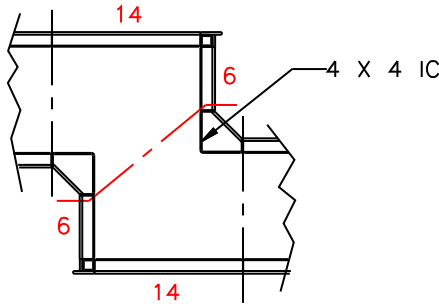
8" WALL  
12" JOG  
**RTOF-8-5**



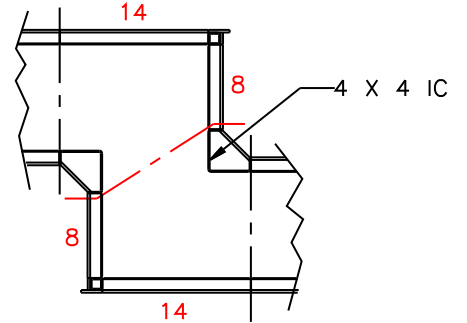
10" WALL  
8" JOG  
**RTOF-18-9**



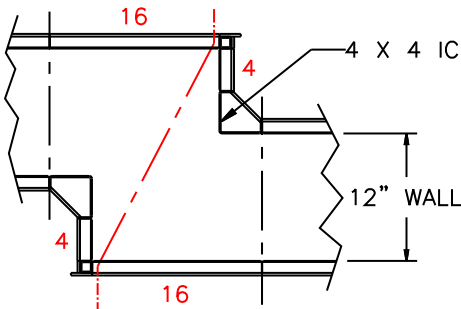
10" WALL  
10" JOG  
**RTOF-10-9**



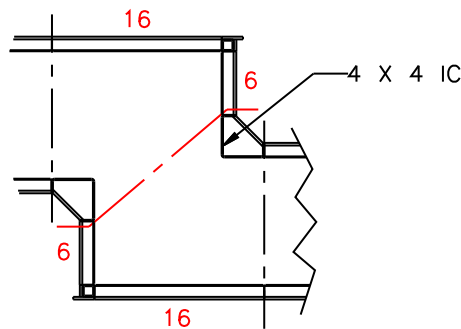
10" WALL  
12" JOG  
**RTOF-10-7**



12" WALL  
8" JOG  
**RTOF-20-11**



12" WALL  
10" JOG  
**RTOF-12-11**



12" WALL  
12" JOG  
**RTOF-12-9**

