

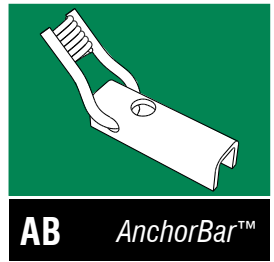


CONCRETE FORMS & HARDWARE®

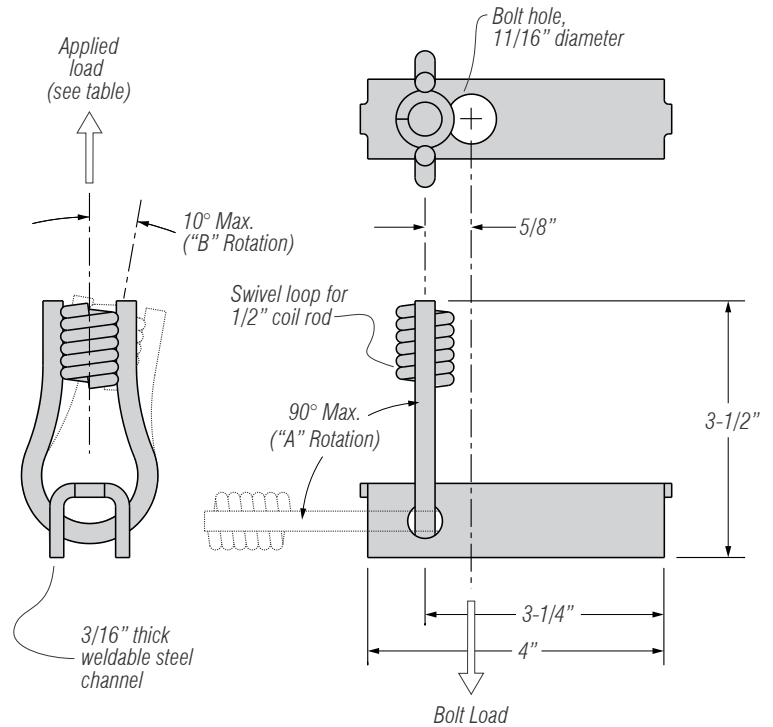


AnchorBar™

One-Sided Forming Hardware



AB AnchorBar™



Universal, Bolt-Down Attachment Bracket

Use the fastener of your choice to anchor formwork to existing structures

The Steel Dog® AnchorBar™ is a versatile solution for attaching formwork to existing structures.

Use the fastener or mechanical anchor of your choice (up to 5/8" diameter) to connect formwork to existing structures, whether wood, concrete, or steel. Or, weld the body of the AnchorBar™ to steel structures (sheet piling, H-beams) for an inexpensive weld-on tie point with swivel coil loop.

APPLICATIONS:

- Brace ties for edge forms on mass pours
- One-sided walls against sheet piling
- One-sided walls against irregular surfaces
- Many other uses

USE WITH THESE FASTENERS:

- Simpson Titen HD® Screw Anchor
- Powers Wedge-Bolt®
- Drop-in Anchor (with NC or coil thread rod and nut)
- Powers Power-Stud®
- Any fastener up to 5/8" diameter

MATERIAL:

Body: low carbon steel

Coil loop: medium carbon steel

FINISH: Plain. Other finishes available: contact factory.

Bolt Loading Table Coil in Vertical Position		
Since the swivel coil loop is offset from the bolt hole in the bracket, the load on the bolt will be up to 25% higher than the load applied to the coil loop (max. when loop is vertical)	Applied Load	Axial Load on Bolt
	1000	1250
	1500	1875
	2000	2500
	2500	3125
3000	3750	

ORDER INFO		
Product	AB-4	ABD-4
Description	Bolt-down attachment bracket	Universal bolt-down, weldable attachment bracket with two swiveling 1/2" coil loops
Material	Carbon steel	Carbon Steel
Maximum Safe Working Load*	3000 lbs	3000 lbs per loop; 4500 lbs max. total
Part Weight	0.73 lbs	
Box Quantity	50 pcs	25 pcs
Box Weight	38 lbs	26 lbs

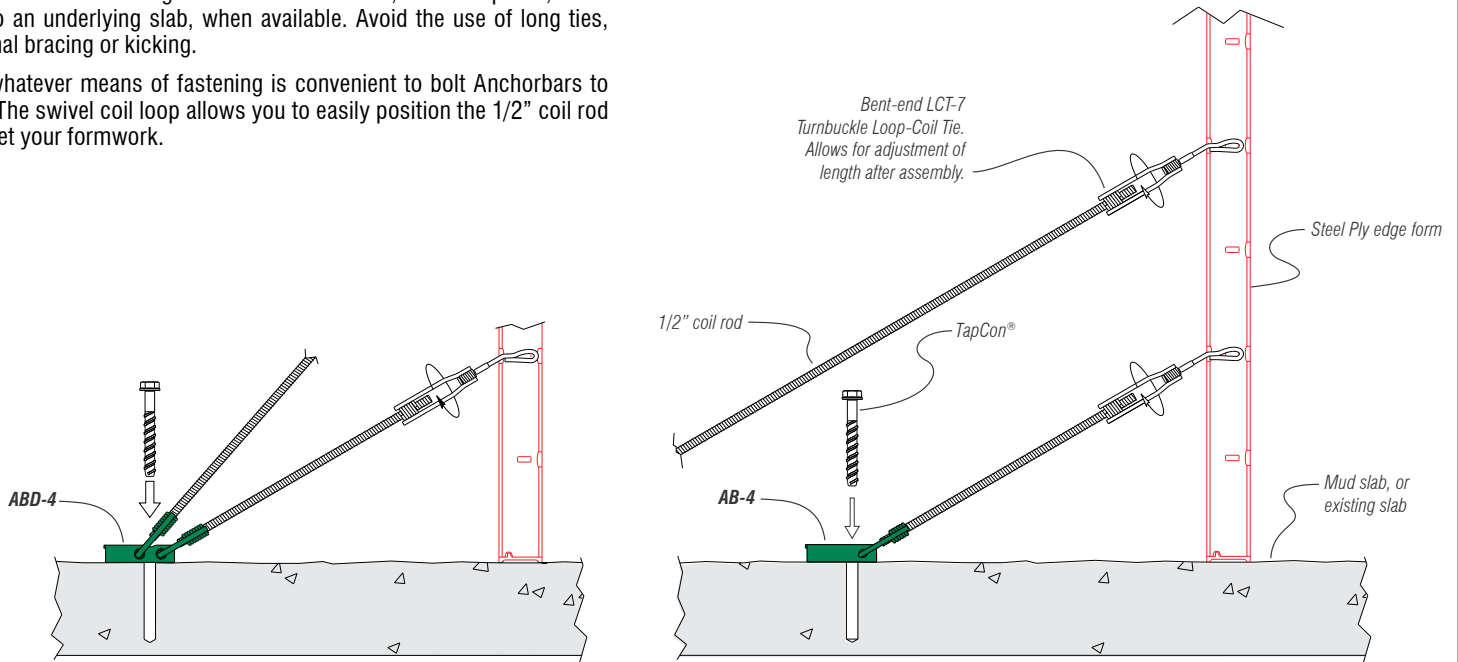
*2-to-1 safety factor. Actual SWL in use will depend on means of attachment. For instance, with loop in vertical position with a bolted connection, ultimate pullout strength of bolt would need to be 3000 x 2x 1.25 = 7500 lbs to meet 3000 SWL applied load

Applications

Tying edge forms on large mass pours

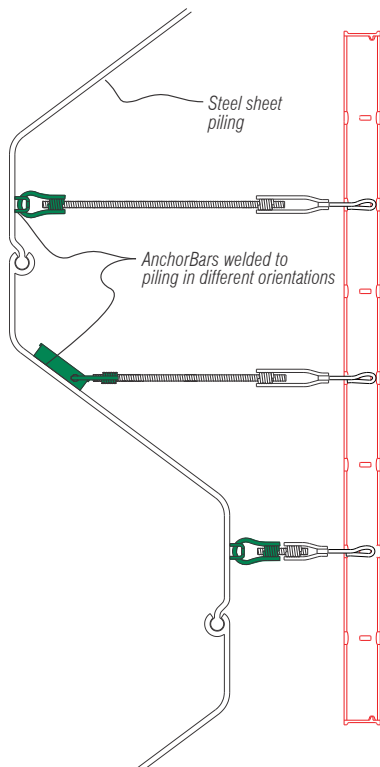
AnchorBars™ allow edge forms for thick slabs, or mass pours, to be tied to an underlying slab, when available. Avoid the use of long ties, external bracing or kicking.

Use whatever means of fastening is convenient to bolt Anchorbars to slab. The swivel coil loop allows you to easily position the 1/2" coil rod to meet your formwork.



One-sided pour against sheet piling

In addition to allowing for bolted connections, AnchorBars™ can be welded to steel structures as a tie attachment point. The swivel coil loop allows for easy attachment to angled surfaces, such as the corrugations on sheet piling.



Dry tie on a short drop-down wall

AnchorBars™ provide a quick way to temporarily attach formwork to an existing structure. Here, to pour a short one-sided wall for a shallow pit, the tops of the forms are tied back to the existing slab with AnchorBars and a removable anchoring bolt of other fastener. The hole for this can be easily patched afterwards.

