



Aluma-Coil™ Tie

One-Sided Forming Hardware



AC

Aluma-Coil™ Tie

MADE IN USA

Versatile Tie for Aluminum Forms

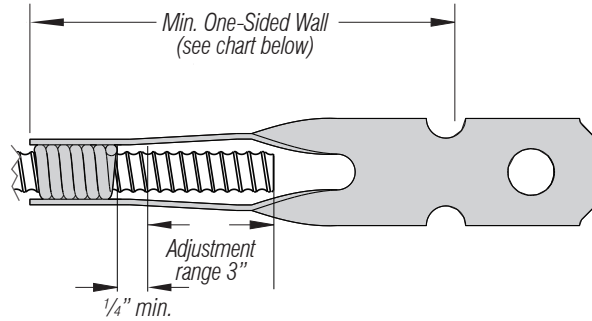
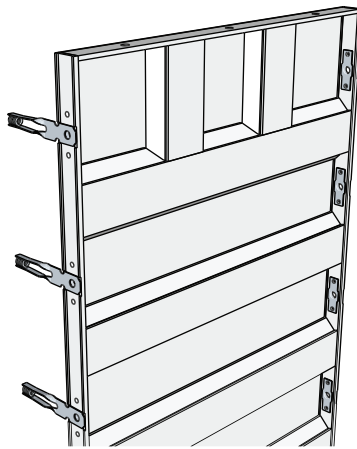
This unique tie is a standard aluminum form flat tie on one end and a 1/2" coil rod adapter on the other end.

Now you can connect your aluminum forms to industry-standard 1/2" coil rod to deal with difficult forming situations, such as one sided forming or Field-adjustable length ties.

MATERIAL: Carbon steel.

FINISH: None.

MAXIMUM SAFE WORKING LOAD: 3700 lbs
(based on 2-to-1 safety factor)

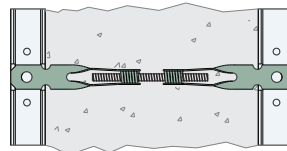


Ordering Information	STANDARD			
	AC-6	AC-4	AC-6A	AC-4A
<p>Form Panel</p> <p>3/16" Breakback</p> <p>6"</p> <p>4"</p> <p>For maximum range of adjustment and lower cost use the highlighted standard tie, when wall thickness permits.</p>			<p>Angle</p> <p>Min. one-sided wall length</p> <p>To specify angle of bend. Sample: AC-6A45</p>	
Product Code	AC-6	AC-4	AC-6A	AC-4A
Safe Working Load*	3700 lbs	3700 lbs	3700 lbs	
Min. One Sided Wall	6"	4"	6"	4"
Box Quantity	100 pcs	100 pcs	100 pcs	100 pcs
Case Quantity	29 lbs	24 lbs	28 lbs	23 lbs
Flat end.....Fits aluminum forms Coil Tie end.....Fits 1/2" coil rod			*2-to-1 Safety Factor	

Applications

ADJUSTABLE LENGTH TIES

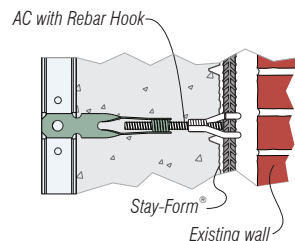
Aluma-Coil™ Ties can be threaded back-to-back to create long- or unusual-length ties with different end configurations.



TYPICAL APPLICATIONS • Battered walls • Mass pours • Pile caps • Pilasters

BLIND SIDE WALLS

Steel Dog® Aluma-Coil™ Ties and Rebar Hooks provide a fast and low-cost way to use Stay-Form® stay-in-place expanded metal mesh to form blind side walls (where clearances on one side are too tight to allow for removal of reusable forms).

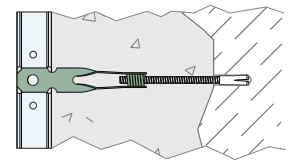


- Lower labor costs
- Field adjustable length
- Standard components mean no need for custom parts

ONE-SIDED FORMING

EXISTING WALL

Aluma-Coil™ Ties provide a simple and low-cost solution for securing formwork to existing structures for one-sided forming. They can eliminate additional hardware and labor over other methods.



- Typical Existing Walls** • Concrete • Wood Lagging • Brick • Sheet piling
• Hollow concrete block • Rock

ANCHORING MEANS

Depending on the existing wall material and the design tie loads, the threaded rod may be secured with:

- ! Drop-in anchors
- ! Epoxy
- ! Steel Dog® Coil-Lags™
- ! Steel Dog® Coil-Studs™
- ! Steel Dog® Rebar Hooks
- ! Pivot brackets
- ! Plate washers and nuts
- ! Toggle ties

