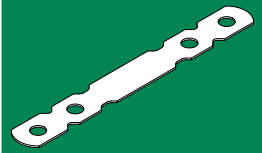




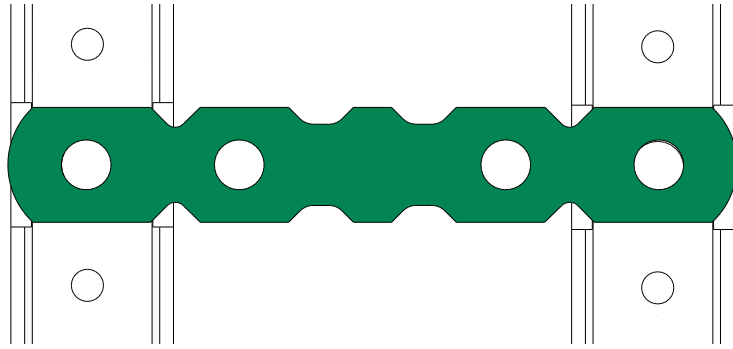
# Aluminum Form Tie

Aluminum Forming Hardware



**AFT**

Aluminum Form Tie



Available in full and nominal wall thicknesses.

**MATERIALS:**

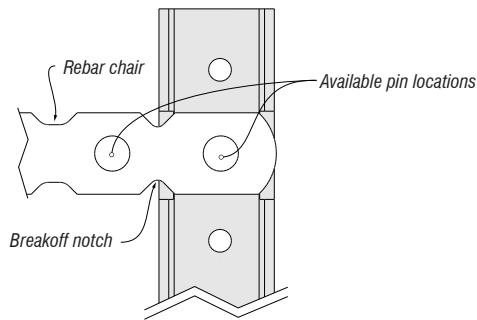
- Carbon Steel
- 304 Stainless available

**FINISH:** None.

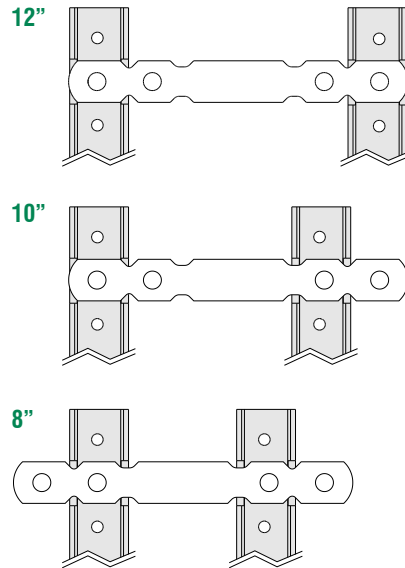
**MAXIMUM SAFE WORKING LOAD:** 3750 Lbs. (2-to-1 safety factor)

**REMOVAL:**

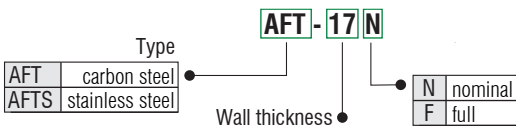
- Remove pins and wedges, work tie end back and forth with a hammer to break it off.



**Three Sizes in One**



**Order Info**



Safe working load standard tie <sup>1</sup>	3750 lbs, 2-to-1 safety factor
Safe working load stainless tie <sup>1</sup>	3750 lbs, 2-to-1 safety factor
Wall thickness range	4 inches - 52 feet

**Horizontal Breakoff**

