

MADE IN USA

Fast way to form brickledge and other blockouts

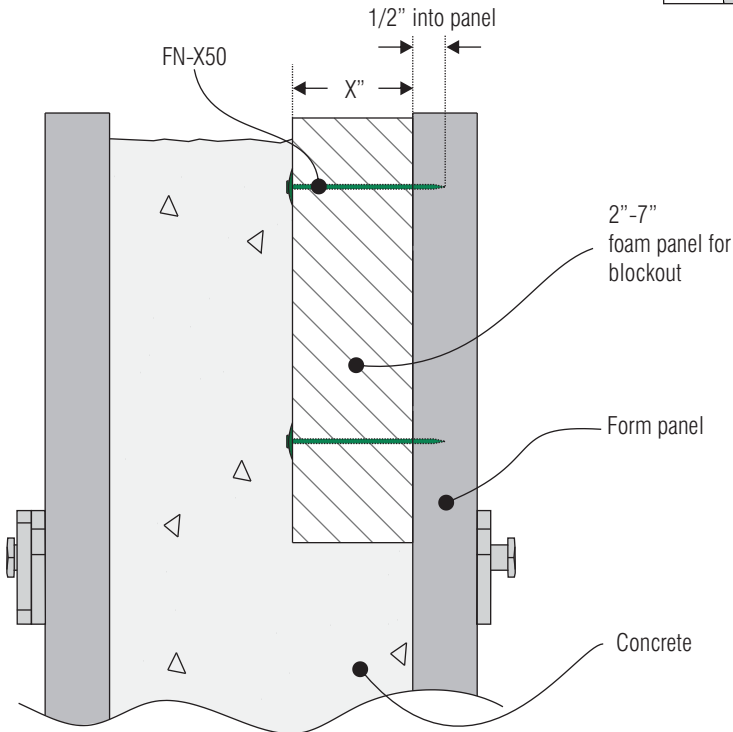
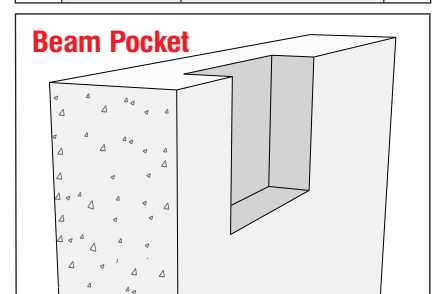
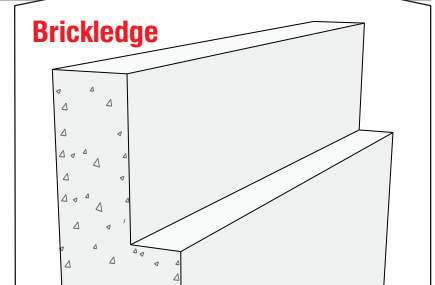
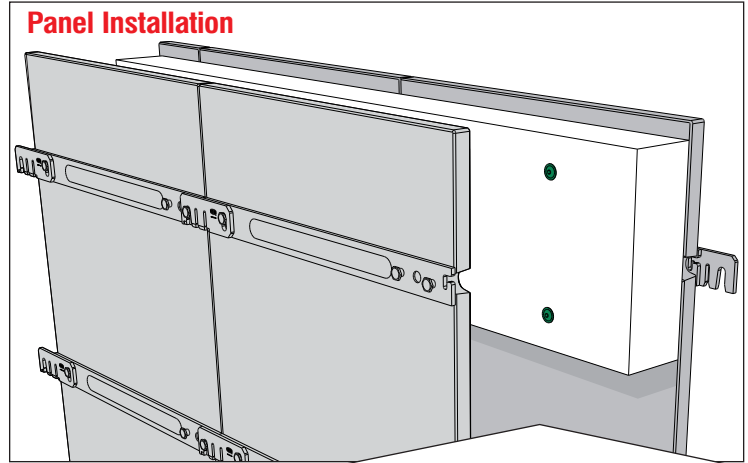
Foam Nails make it easy to form brickledge and other blockouts on foundation walls when using Steel Ply or 1-1/8". Simply attach the desired foam block to the face of the panel with two nails per panel...

FEATURES:

- Wide head to ensure firm hold on foam.

MATERIAL: Flash coated zinc steel

APPLICATION: One nail per one square foot of foam is recommended.



Ordering Information



Product Code	<i>FN-250</i>	<i>FN-350</i>	<i>FN-450</i>	<i>FN-550</i>	<i>FN-650</i>	<i>FN-750</i>
Material	Steel	Steel	Steel	Steel	Steel	Steel
Finish	Zinc	Zinc	Zinc	Zinc	Zinc	Zinc
Foam thickness	2"	3"	4"	5"	6"	7"
Box Quantity	100 pcs	100 pcs	100 pcs	100 pcs	50 pcs	25 pcs
Case Quantity	1000 pcs	1000 pcs	1000 pcs	1000 pcs	500 pcs	250 pcs
Case Weight	18 lbs	20 lbs	24 lbs	27 lbs	17 lbs	10 lbs