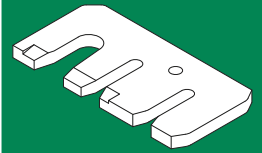




Panel Gap Latch

Forming Hardware



GL

Panel Gap Latch

An Easy Way to Gap Your Forms

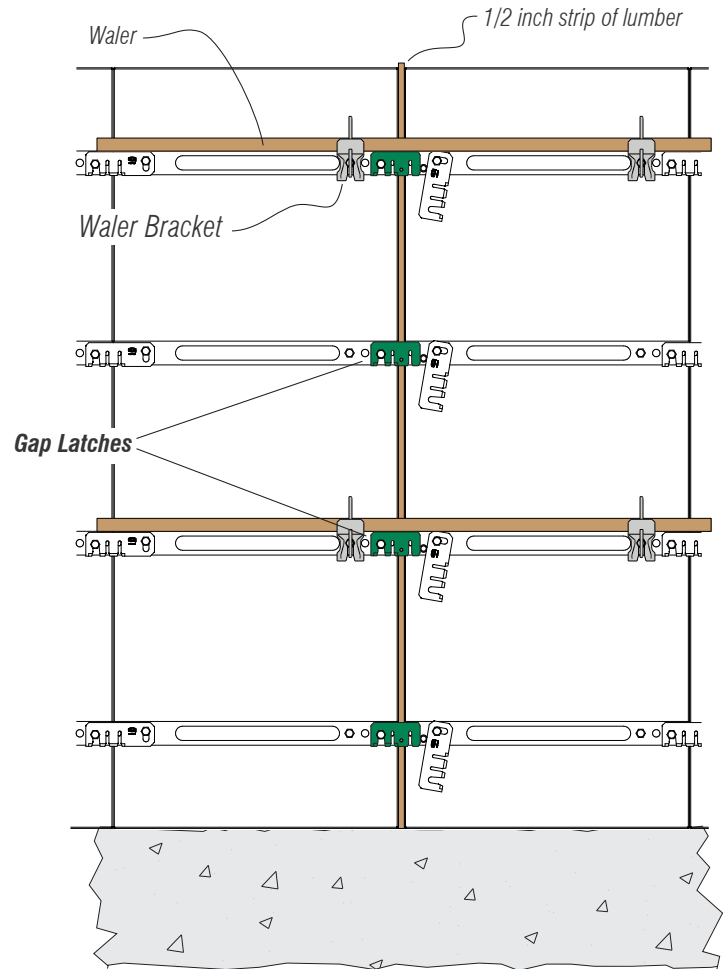
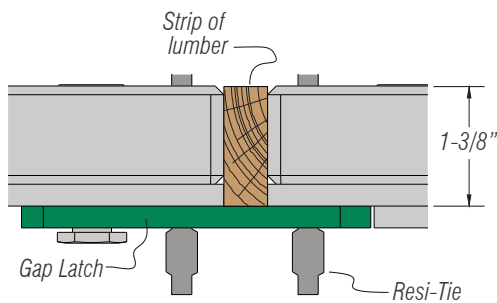
The Steel Dog® **Gap Latch** brings a new level of precision forming to the 1-1/8" system. Available in two sizes, the Gap Latch joins two panels together with an intentional 1/4" or 1/2" space between them. Fill the gap with a strip of lumber and you've now made up a 1/4" or 1/2" dimension in your wall.

APPLICATIONS:

- Walls with fractional dimensions that cannot be rounded
- Adjusting for growth or shrinkage on a long run of wall

FEATURES:

- Made from through-hardened, boron steel
- Zinc plated for durability and identification
- Nail hole for fastening to lumber



| ORDER INFO | | |
|----------------|---------------------------------|---------------------------------|
| | | |
| Product | GL-25 | GL-50 |
| Description | Extension latch for 1/4" lumber | Extension latch for 1/2" lumber |
| Color | Gold | Silver |
| Box Quantity | 50 pcs | 50 pcs |
| Box Weight | 24 lbs | 26 lbs |

CAUTION

- Use caution where there are large spreading forces, such as near outside corners.
- If necessary, reinforce with waling or perforated banding

• It is critical that the Gap Latch is installed and remains fully seated on both ties to ensure ties remain in place. **The ties must engage both the panel bar and the Gap Latch to prevent spreading.**

