



Hold Down Bracket™

1-1/8" Forming Hardware



HDTF Hold Down Bracket™

Hold Down Bracket™ for 1-1/8" Panels

The Steel Dog® Hold Down Bracket is used for securing Steel Dog® panels to footings or underlying slabs against uplift on battered walls or similar applications.

Attaches to waler bolt on lowest panel bar (for panels with bars 8" above bottom).

FEATURES:

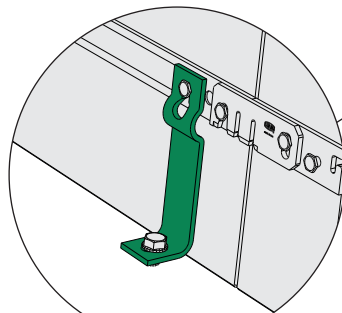
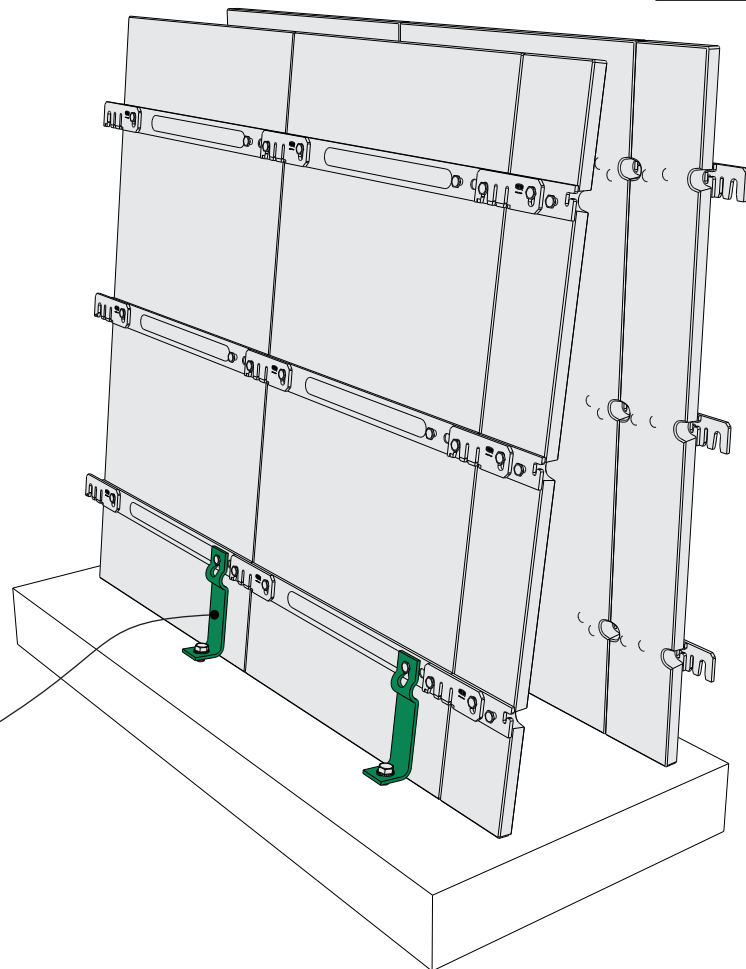
- Solid construction from single piece of molded 1/4" steel.
- Slotted eyelet for easy slip-on installation.
- Painted finish for rust prevention.

APPLICATIONS:

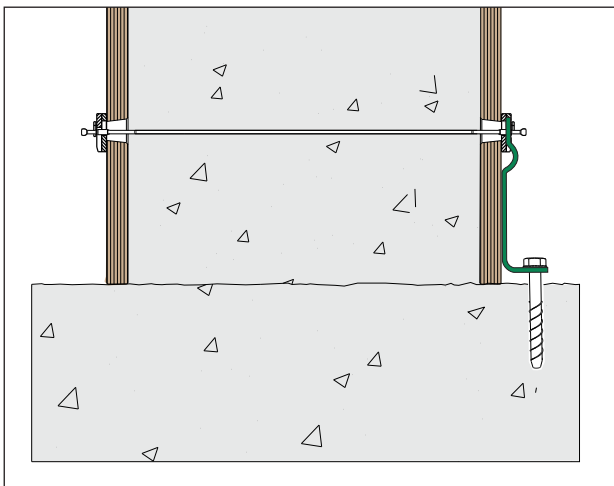
- TRUFORM panels for battered walls

MATERIAL: 1/4" Low alloy high carbon steel

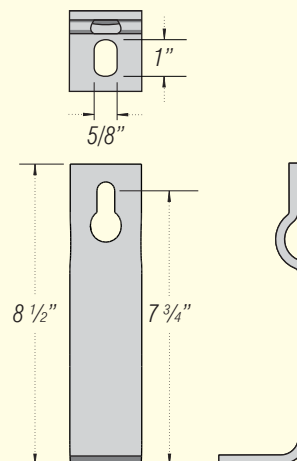
FINISH: Green epoxy paint.



Bolt down to footing to prevent uplift



Ordering Information



	HDTF-8
Material	Steel
Carton Qty.	25
Carton Weight	37 lbs