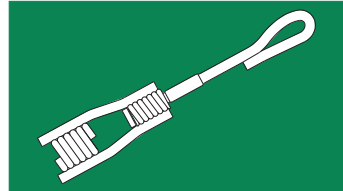




Turnbuckle Loop-Coil™ Tie

One-Sided Forming Hardware



LCT

Turnbuckle Loop-Coil™ Tie

MADE IN USA
US Patent 9133635

Adjustable Loop-Coil Tie

Make adjustments to tie with loop end wedge-bolted in place

Steel Dog® Turnbuckle Loop-Coil™ Ties provide a first in the concrete forming industry: a way to adjust the length of a tie after it is in place and attached to the formwork. Like the industry-standard LC Loop-Coil Ties, LCT Turnbuckle ties provide a convenient connection between Steel Ply formwork and 1/2" coil rod, for one-sided forming, adjustable-length ties, blind-side forming, etc.

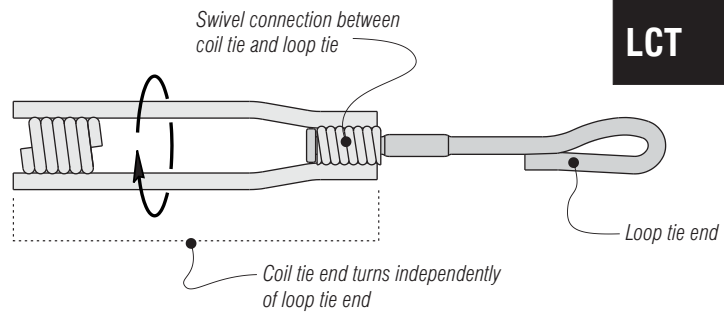
FEATURES:

- Threads onto standard 1/2" coil rod
- Special swivel design allows for infinitely fine adjustment of tie length—while loop end is wedge-bolted in place on forms
- Heavy-duty loop tie load rating

MATERIAL: Carbon steel. Stainless steel loop tie end available.

FINISH: None. Electroplated zinc finish available

MAXIMUM SAFE WORKING LOAD: 2800 Lbs. (2-to-1 safety factor)



Ordering Information

		STANDARD	LONGNECK	BENT END TYPE A	BENT END TYPE B		
Product Code		LCT-5	LCT-7	LCT-8-2	LCT-XX	LCT-XA	LCT-XB
Safe Working Load*		2800 lbs	2800 lbs	2800 lbs	2800 lbs	2800 lbs	2800 lbs
Break-back		1"	1"	2"	1"	1"	1"
Min. One-Sided Wall		5"	7"	8"	7 to 600"	7"	7"
Adjustment Range		1/4"	2 1/4"	2 1/4"	2 1/4"	2 1/4"	2 1/4"
Coil Rod Setback		3.25"	4.5"	5.5"			
Box Quantity		100	100	100		100	100
Box Weight		26 lbs	32 lbs	33 lbs		32 lbs	32 lbs

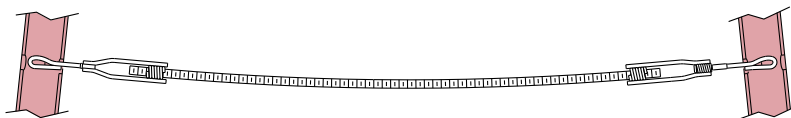
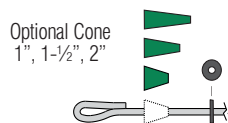
*Approximately 2-to-1 Safety Factor

For maximum range of adjustment and lower cost use the highlighted **standard ties**, when wall thickness permits.

Loop Tie end: Fits modular, steel-frame form panels, such as Steel Ply®

Coil Tie end: Fits 1/2" coil rod (1/2"-13 NC machine threads also available).

Optional cone or waterseal

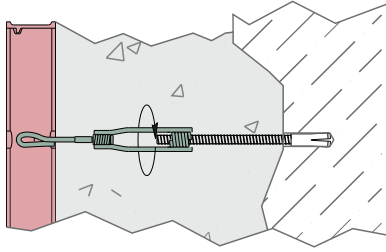


Applications

ONE-SIDED FORMING

EXISTING WALL

Turnbuckle Loop-Coil™ Ties provide a simple and low-cost solution for securing formwork to existing structures for one-sided forming. They can eliminate additional hardware and labor over other methods.

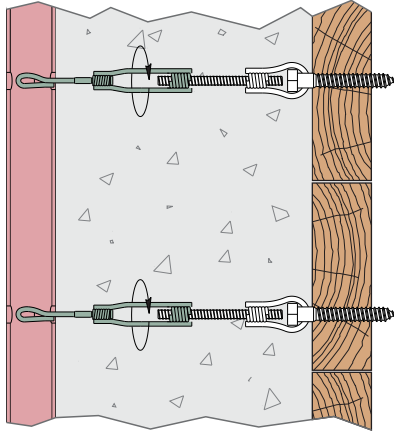


Typical Existing Walls • Concrete • Wood Lagging • Brick • Sheet piling
• Hollow concrete block • Rock

ANCHORING MEANS

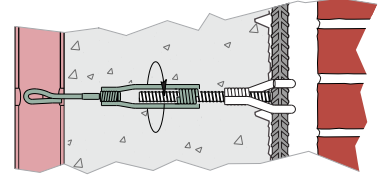
Depending on the existing wall material and the design tie loads, the threaded rod may be secured with:

- Drop-in anchors
- Epoxy
- Steel Dog® Coil-Lags™
- Steel Dog® Coil-Studs™
- Steel Dog® Rebar Hooks
- Pivot brackets
- Plate washers and nuts
- Toggle ties



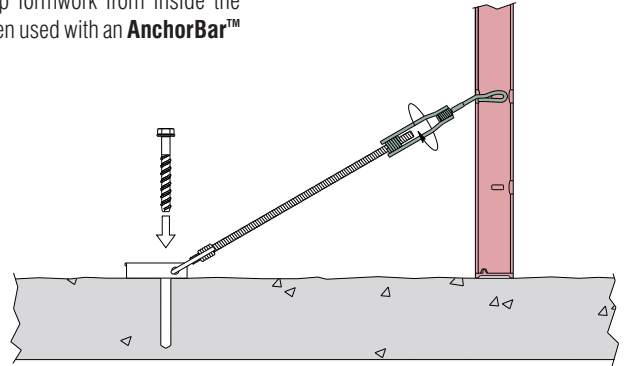
BLIND SIDE WALLS

Steel Dog® Turnbuckle Loop-Coil™ Ties and Rebar Hooks provide a fast and low-cost way to use Stay-Form® stay-in-place expanded metal mesh to form blind side walls (where clearances on one side are too tight to allow for removal of reusable forms).



SHORING INSIDE WALLS

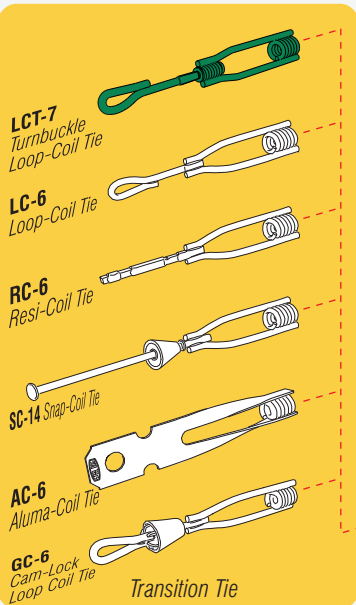
Factory bent LCT-7B can be used to shore up formwork from inside the wall when used with an AnchorBar™ (AB-4).



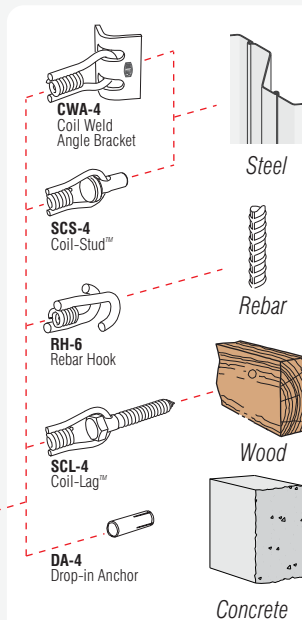
Complete One-sided Forming Solutions

Whatever You're Up Against

The Steel Dog® Turnbuckle Loop-Coil Tie™ is only one of a system of off-the-shelf, interchangeable forming components using industry-standard 1/2" coil rod as the threaded element. Whatever your form system, and whatever you're up against, Steel Dog has a solution.



1/2" Coil Rod



CAUTION

- IT IS THE RESPONSIBILITY OF THE USER TO ENSURE ADEQUATE ANCHORAGE TO EXISTING WALL. FOLLOW ANCHOR MFR'S INSTRUCTIONS
- USE NARROWER PANELS OR OTHER TECHNIQUES TO DECREASE TIE SPACING IF UNSURE OF ANCHORAGE
- KNOW YOUR TIE LOADS
- DO NOT EXCEED THE SAFE WORKING LOAD (2800 LBS.)

ONE-SIDED FORMING:

- COIL WELD ANGLE BRACKETS ARE RATED TO CARRY A SPECIFIC LOAD; THE FIELD WELDS YOU MAKE MUST CARRY NO LESS. MAKE SURE YOU UNDERSTAND THE FORCES INVOLVED. IT IS THE RESPONSIBILITY OF THE USER TO ENSURE ADEQUATE ANCHORAGE TO EXISTING WALL
- ALWAYS CALCULATE TIE LOADS BASED ON POUR RATE, TEMPERATURE, TIE SPACING, ETC., AND DO NOT EXCEED MAXIMUM POUR RATE NEEDED TO KEEP TIE LOADS BELOW SAFE WORKING LOAD