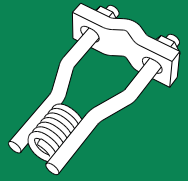


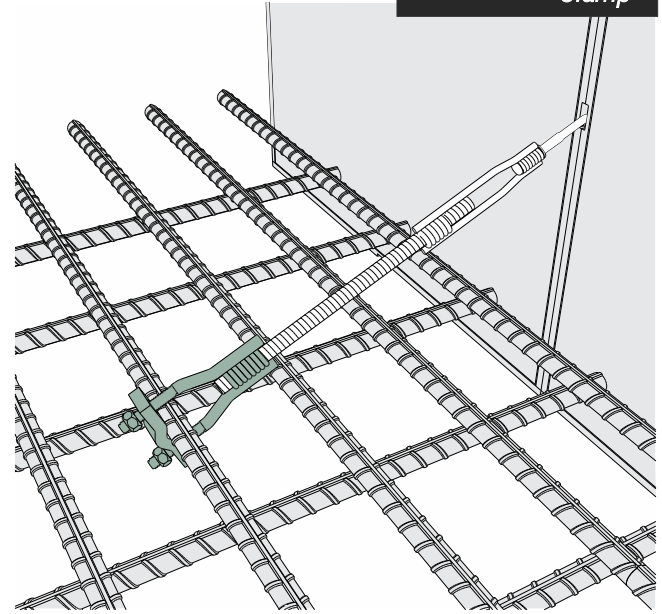
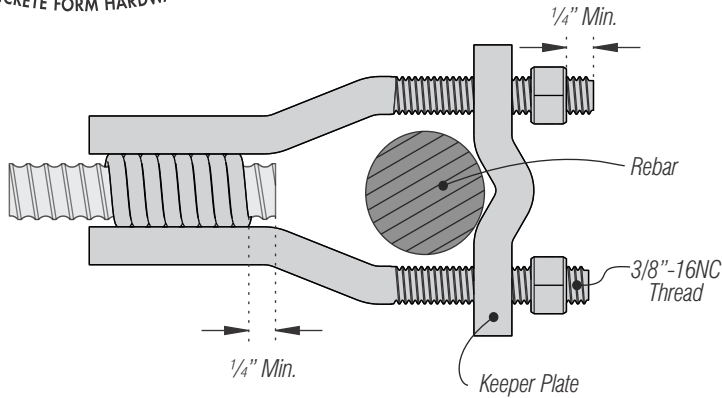


Rebar Coil Clamp™

One-Sided Forming Hardware



RHC Rebar Coil Clamp™



Rebar Coil Clamp

The Steel Dog® Rebar Clamp is a heavy duty version of our popular Rebar Hook. This clamp will allow you to tie onto rebar up to size #11.

FEATURES:

- Symmetrical design
- Hook held in position by the connecting threaded rod.
- Attach to up to #11 rebar.

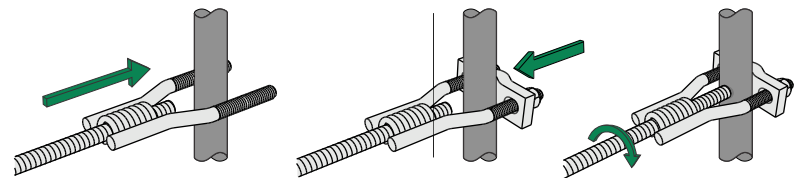
MATERIAL: Carbon steel. Available in other finishes on special order.

FINISH: None.

APPLICATIONS:

- Stay-Form blind side wall ties
- Tying low edge forms to rebar mats for slab pours
- Tying bottoms of forms into vertical mudslab rebar
- Self-supporting insert for shotcrete walls

Installation:

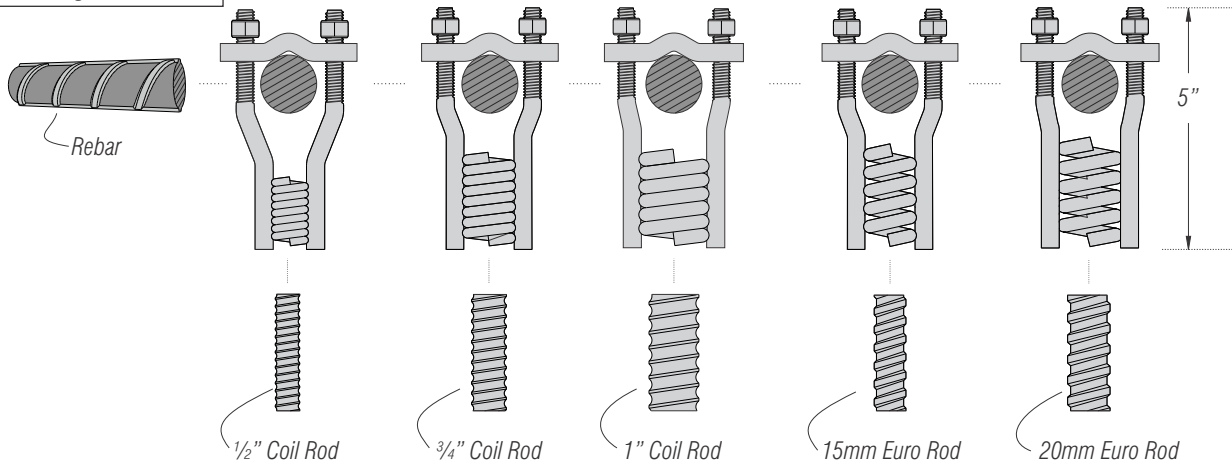


1. Push onto rebar

2. Screw Keeper Plate against Rebar

3. Cinch Rebar between Rod and Keeper Plate by either turning Rod or tightening Bolts

Ordering Information



Product Code	RHC-4	RHC-6	RHC-8	RHC-D15	RHC-D20
Safe Working Load*	3000 lb	3000 lb	3000 lb	3000 lbs	3000 lbs
Carton Quantity	50	50	50	50	50
Carton Weight	33 lbs	43 lbs	48 lbs	44 lbs	49 lbs
Max. Rebar Size	#11	#11	#11	#11	#11
Coil Thread	1/2" Coil	3/4" Coil	1" Coil	15mm Coil	20mm Coil

*2-to-1 safety factor