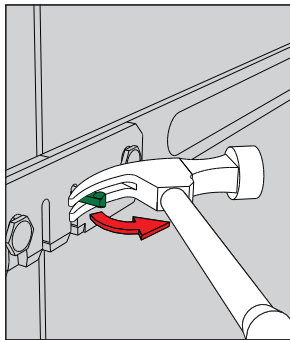
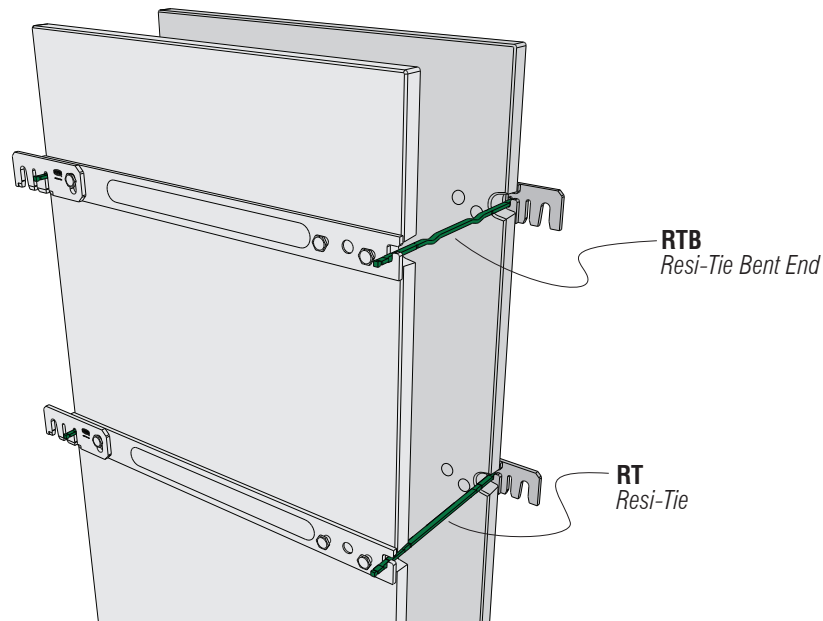
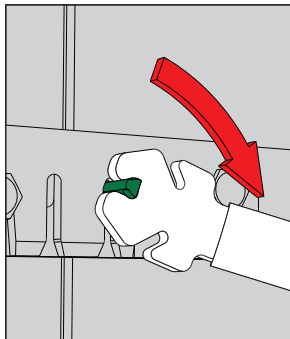


MATERIAL: AISI C1038 carbon steel. Also available in stainless steel.
FINISH: None. (Zinc coatings available: consult factory.)
MAXIMUM SAFE WORKING LOAD: 2500 Lbs. (Based on 2-to-1 safety factor).



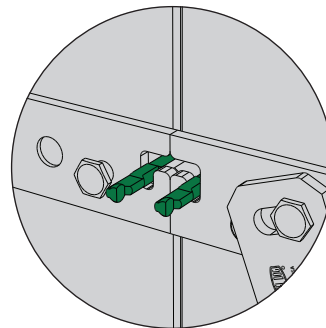
EASY INSTALLATION

A thicker end allows for easy set-up. Simply use a hammer claw to pull tie when setting panels.



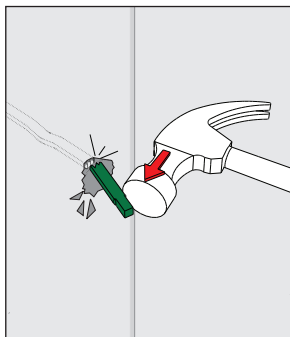
SIMPLE REMOVAL

A redesigned outer (latch) breakback notch means the ties break off faster, cleaner and with less effort. Use a BT-10 for twist off removal.



DOUBLE UP ON TIES FOR INCREASED STRENGTH

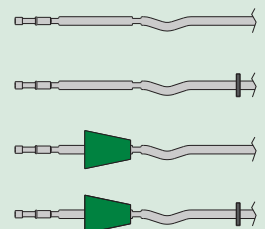
Simply install ties before assembling adjacent panels.



EFFORTLESS INNER BREAKBACK

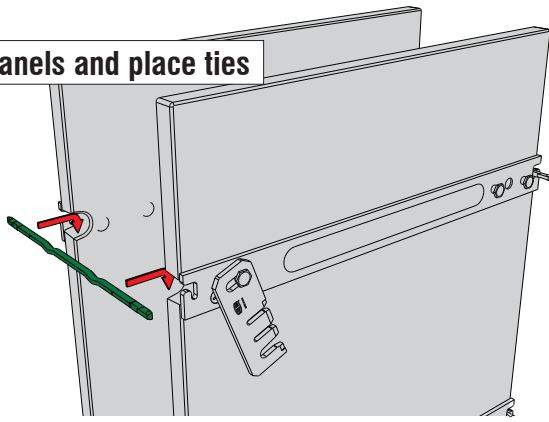
The new V-Notch inner breakback (available only on bent ties) takes 30% less effort to break. A simple hammer blow cleanly snaps off the tie remnant after the panels have been stripped.

Also Available: DB Ties

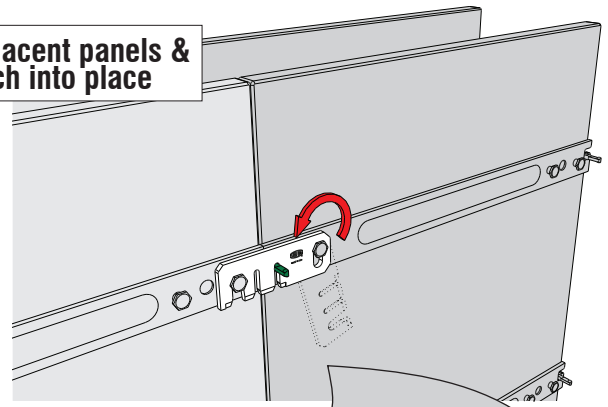


ASSEMBLY

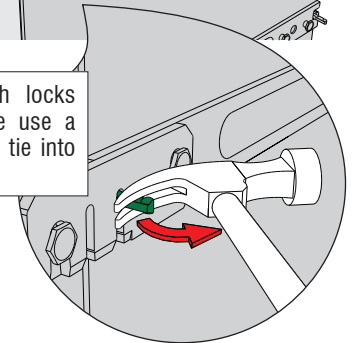
Erect panels and place ties



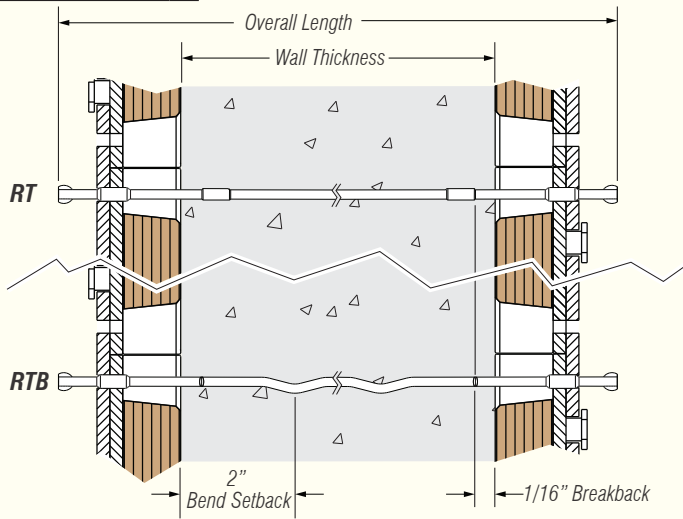
Install adjacent panels & swing latch into place



To ensure the latch locks securely into the tie use a hammer claw to pull tie into place.



ORDER INFO



Product	* RT-6	RTB-8 RT-8	RTB-10 RT-10	RTB-12 RT-12
Safe Working Load†	2500 lbs	2500 lbs	2500 lbs	2500 lbs
Overall Length	10 3/4"	12 3/4"	14 3/4"	16 3/4"
Box Quantity	250 pcs	250 pcs	250 pcs	250 pcs
Box Weight	43 lbs	52 lbs	61 lbs	70 lbs
Pallet Quantity	9000 pcs	9000 pcs	9000 pcs	7000 pcs
Pallet Box Quantity	36 boxes	36 boxes	36 boxes	27 boxes
Pallet Weight	1630 lbs	1930 lbs	2250 lbs	2020 lbs

*RTB not available for 6" wall thickness

† SWL based on 2-to-1 safety factor

CAUTION

- IT IS THE RESPONSIBILITY OF THE USER TO ENSURE TIES ARE PROPERLY INSTALLED IN FORM PANELS
- KNOW YOUR TIE LOADS
- DO NOT EXCEED THE SAFE WORKING LOAD (2500 LBS.)



Standard Long Ties												
Wall Thickness	14"	16"	18"	20"	22"	24"	26"	28"	30"	32"	34"	36"
Bundle Quantity	50 pcs	50 pcs	50 pcs	50 pcs	50 pcs	50 pcs	50 pcs	50 pcs	50 pcs	50 pcs	50 pcs	50 pcs
Piece Weight (lb)	.319	.353	.387	.421	.455	.489	.523	.557	.591	.625	.689	.693
Overall Length	18 3/4"	20 3/4"	22 3/4"	24 3/4"	26 3/4"	28 3/4"	30 3/4"	32 3/4"	34 3/4"	36 3/4"	38 3/4"	40 3/4"

Standard Long Ties												
Wall Thickness	38"	40"	42"	44"	46"	48"	60"	72"	84"	96"	108"	120"
Bundle Quantity	50 pcs	50 pcs	50 pcs	50 pcs	50 pcs	50 pcs	--	--	--	--	--	--
Piece Weight (lb)	.727	.761	.795	.829	.863	.897	1.101	1.305	1.509	1.713	1.917	2.121
Overall Length	42 3/4"	44 3/4"	46 3/4"	48 3/4"	50 3/4"	52 3/4"	64 3/4"	76 3/4"	88 3/4"	100 3/4"	112 3/4"	124 3/4"