

TBTF Turnbuckle
Brace

MADE IN USA
US PATENT 9133635

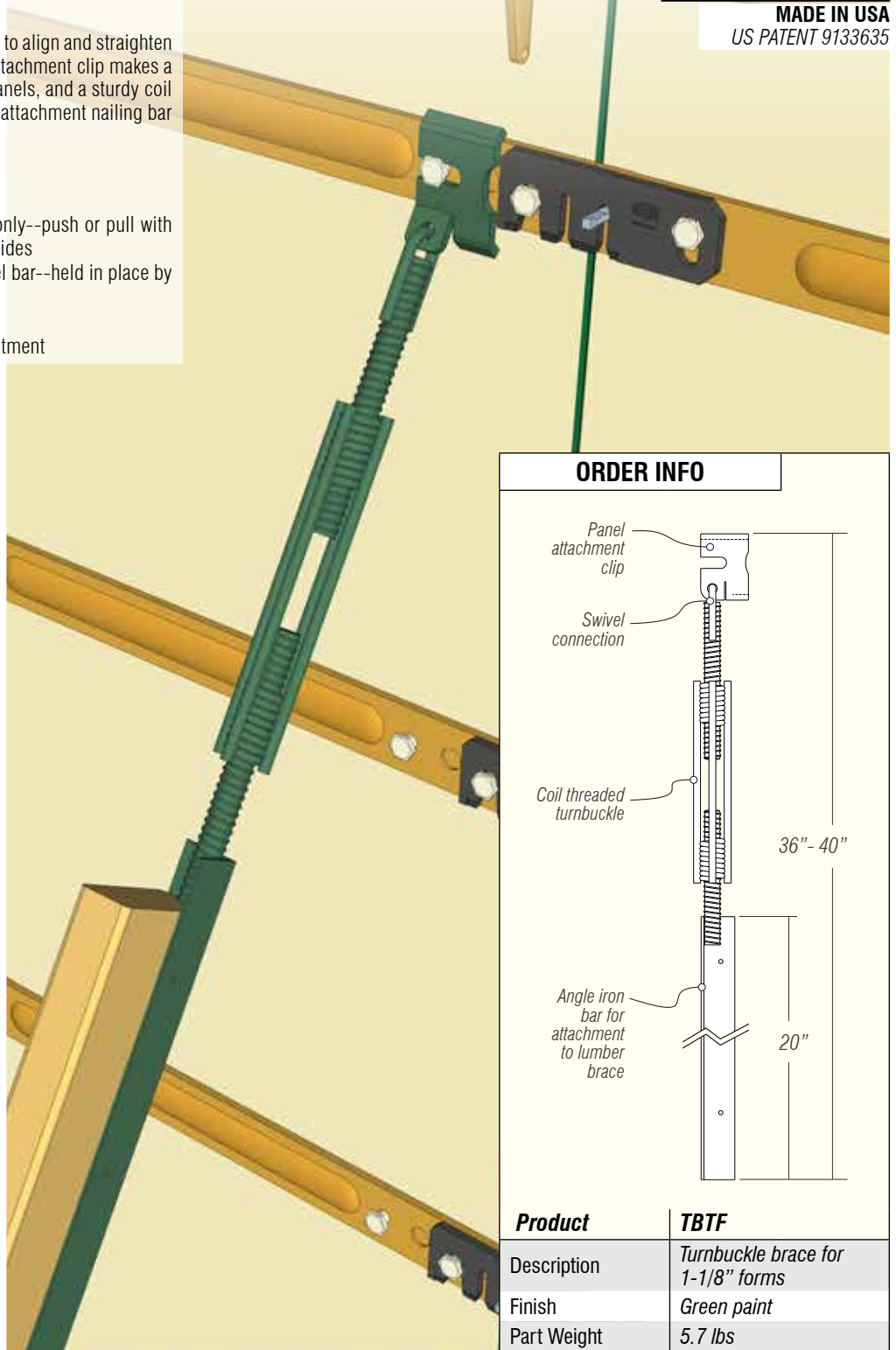
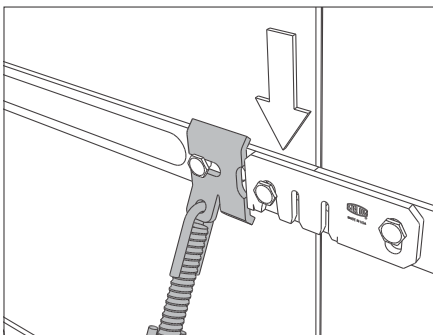
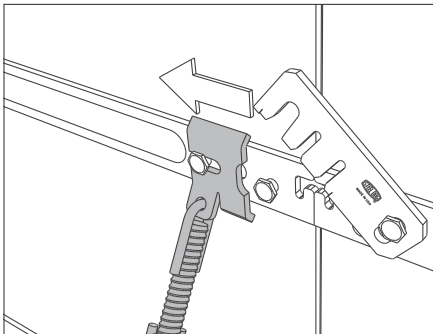
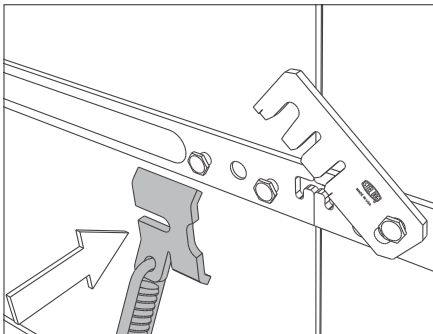
Align and straighten your walls with ease

Turnbuckle brace designed specifically to attach to 1-1/8" forms

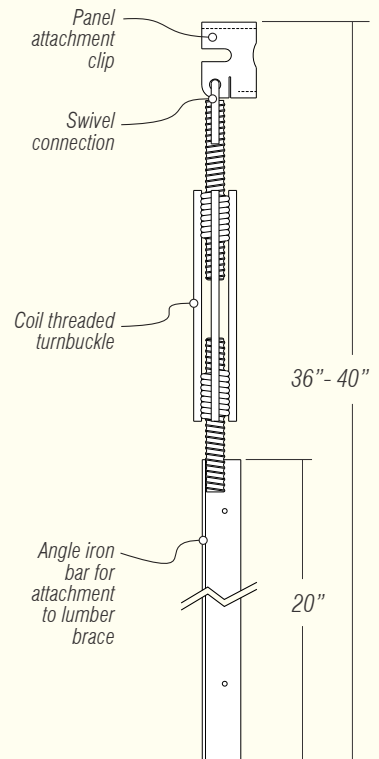
Steel Dog® **TBTF Turnbuckle Braces** provide a better way to align and straighten your form panels to pour a perfect foundation. A special attachment clip makes a secure connection to Steel Dog® and most other 1-1/8" panels, and a sturdy coil thread turnbuckle provides fine adjustment. An angle iron attachment nailing bar provides connection to lumber brace of your choice.

FEATURES:

- 4" of adjustment range
- Allows for precise alignment of walls from one side only--push or pull with turnbuckle; alternative to bracing by boards from both sides
- Unique attachment clip attaches to waler bolt on panel bar--held in place by panel latch
- Angle iron nailing attachment for 2 x 4 brace
- 3/4" coil thread turnbuckle for fast and jam-free adjustment



ORDER INFO



Product	TBTF
Description	Turnbuckle brace for 1-1/8" forms
Finish	Green paint
Part Weight	5.7 lbs