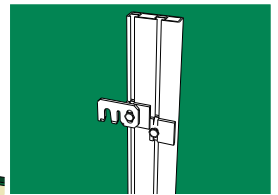




# Aluminum Filler



1-1/8" Forming Hardware

**TFA**

Aluminum Filler

US Patent 10550590 B2

## Adjustable Aluminum Filler

### Fully Adjustable Aluminum Filler

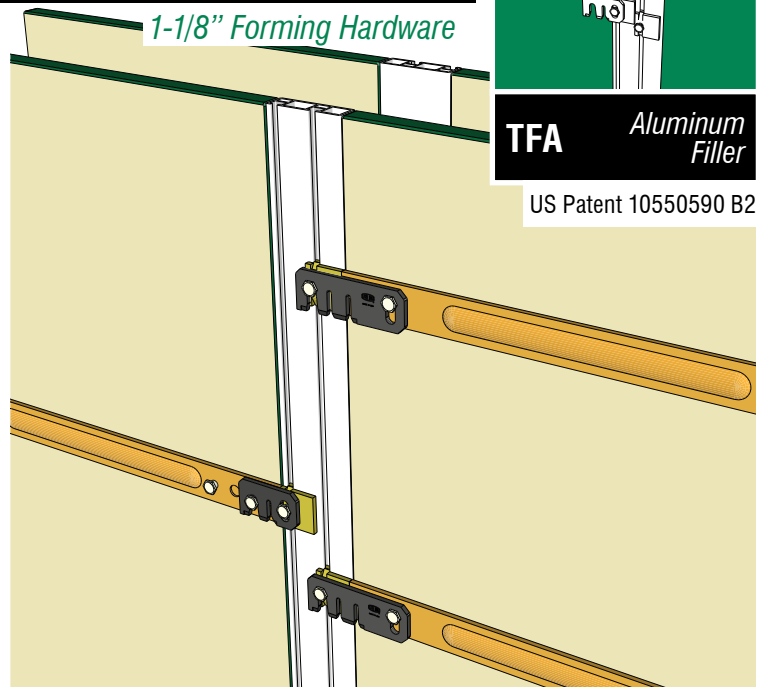
Steel Dog® Aluminum Filler is a high strength, extruded aluminum channel with attached, sliding latch hardware. The Aluminum Filler is significantly stronger than its plywood counterpart. The adjustable hardware allows for ultimate forming flexibility.

#### FEATURES:

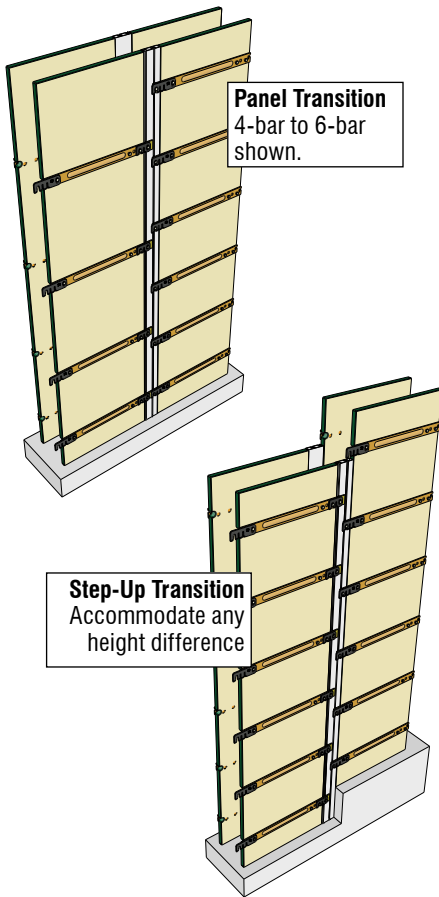
- Aluminum channels are lightweight, strong, and corrosion resistant
- Latches and bolt plates can be easily moved to match any bar spacing
- No risk of breakage when stripping

#### USES:

- Designed to be used in place of a standard 1-1/8" plywood filler
- Step-ups
- Panel transitions



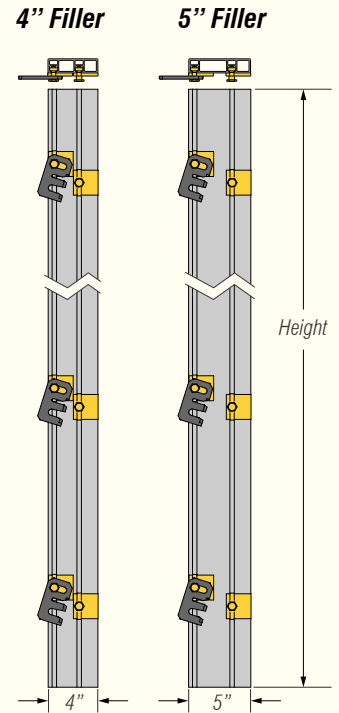
### Some of the uses for Aluminum Fillers



**Panel Transition**  
4-bar to 6-bar shown.

**Step-Up Transition**  
Accommodate any height difference

ORDER INFO			
Height		4" Filler	5" Filler
2ft-8in	Product Code	TFA-032-04	TFA-032-05
	No. of Latches	2	2
	Weight	7 lbs	7 lbs
4 ft	Product Code	TFA-048-04	TFA-048-05
	No. of Latches	3	3
	Weight	10 lbs	11 lbs
5ft-4in	Product Code	TFA-064-04	TFA-064-05
	No. of Latches	4	4
	Weight	14 lbs	15 lbs
8ft	Product Code	TFA-096-04	TFA-096-05
	No. of Latches	6	6
	Weight	21 lbs	22 lbs
9 ft	Product Code	TFA-108-04	TFA-108-05
	No. of Latches	6	6
	Weight	22 lbs	24 lbs
9ft-4in	Product Code	TFA-112-04	TFA-112-05
	No. of Latches	7	7
	Weight	24 lbs	25 lbs
10ft	Product Code	TFA-120-04	TFA-120-05
	No. of Latches	7	7
	Weight	25 lbs	27 lbs



### Traditional Wood Filler

VS

### Aluminum Filler

