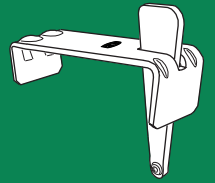




Top Waler Clamp

1-1/8" Forming Hardware



TWC

Top Waler
Clamp

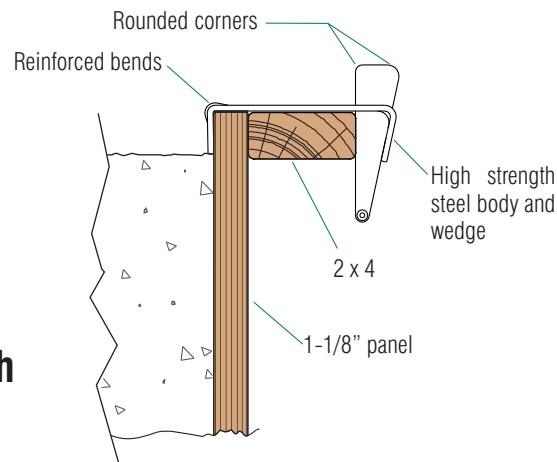
MADE IN USA



A Rugged, Versatile Clamp for 1-1/8" Forming

Using the TWC-450 is the best way to secure a 2x4 to the top of your form panels for perfectly straight walls. Sets securely with a quick blow to the wedge, and strips just as easily.

Like all Steel Dog hardware, the TWC is designed and manufactured with the user in mind. Heavy-gauge steel, rounded corners, no sharp edges--the TWC is rugged and made to withstand years of heavy use.



TWC's extend the life of your forms: clamp a 2 x 4, instead of nailing or screwing through your plywood.



Top Waler to Straighten Walls

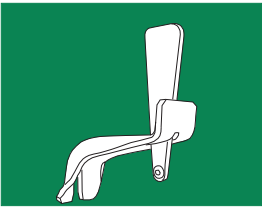
Stepped Wall Construction with TWC's

Other Uses for the Top Waler Clamp

The "backbone" of each TWC has a hole for screwing or nailing into a board. This is useful in difficult forming situations such as the stepped wall shown here. The TWC's secure a 2x4 waler to the INSIDE face of each interior section of a stepped wall, with the wedge against the form. Then, a screw is run through the TWC into the 2x4 to help support the weight of the inside form panels.

(CAUTION: THIS IS A SUGGESTED USE. IT IS THE RESPONSIBILITY OF THE USER TO ASSURE THAT THE FORMWORK IS CONSTRUCTED IN A SAFE MANNER.)





WBW-4 Waler Bracket w/ Wedge, 4"

Waler Bracket w/ Wedge

1-1/8" Forming Hardware

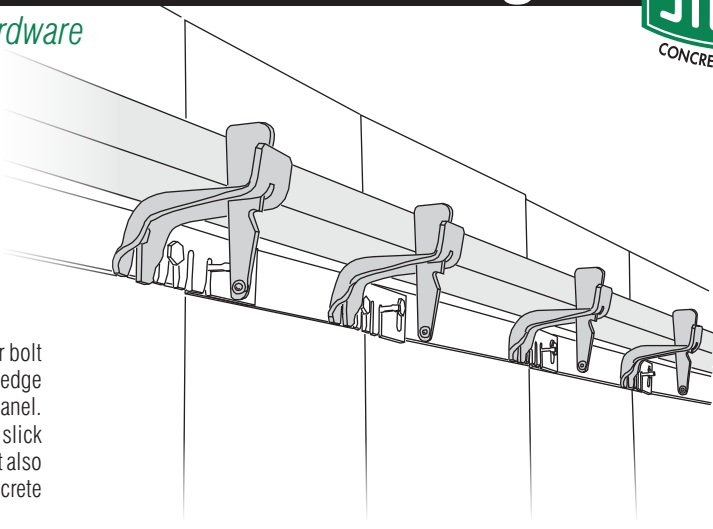


MADE IN USA
US Patent 7066440

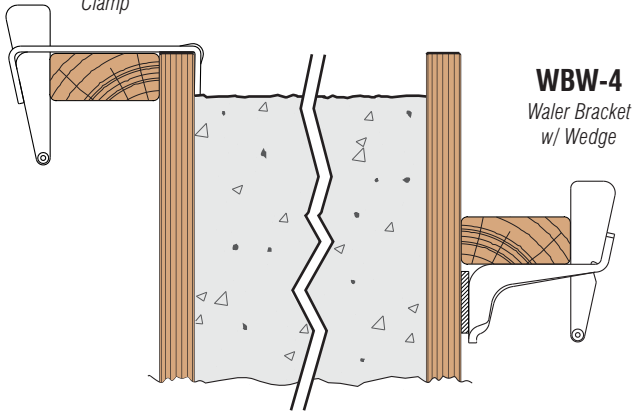
A Better Way to Straighten Your Walls

The slotted end of the versatile WBW slips over a hex shoulder bolt anywhere on a 1-1/8" form panel. The rounded-corner wedge securely tightens a 2 x 4 wedge against the plywood form panel. When used on the top bar of 6-bar forms, the WBW is a slick alternative to the Top Waler Clamp: easier to set up and strip, it also leaves the top of the forms free of obstructions for easier concrete pouring and finishing.

When used with 4- or 5-bar panels, the WBW can hold a mid-wall waler when stacking panels for high walls.



TWC-450
Top Waler
Clamp



WBW-4
Waler Bracket
w/ Wedge



WBW's Used with a Mid-Wall Waler

This wall, constructed with 6-bar forms, had a ledge formed in the middle to accommodate a slab on grade. The ledge was formed with a plywood and 2x4 blockout. This made use of "top of the wall" walers, like the TWC-450, impossible. Here, WBW's were used instead to straighten the wall, attached to the hex head shoulder bolts eight inches down from the top of the panels.