

**WB**

Waler  
Bracket

## Single Piece Waler Bracket

Steel Dog Waler Brackets are formed from a single piece of 1/4" x 2" flat stock that is stamped and formed into shape. The simple design uses a single, robust, weld joint. These brackets are built to withstand countless years of field abuse without bending out of shape. A keyhole on the bracket is made to accommodate a hex head shoulder bolt for easy installation.

### FEATURES:

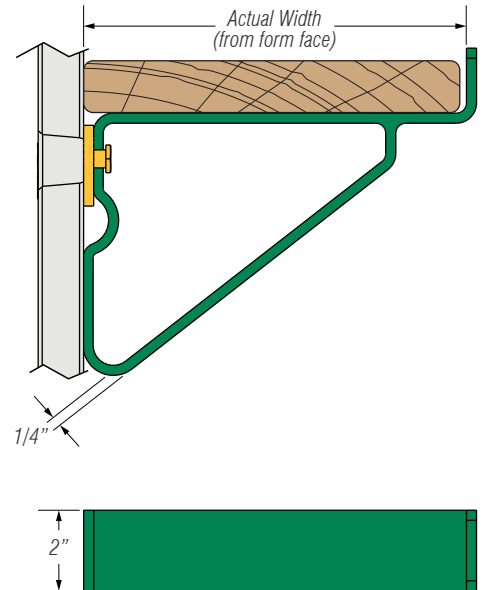
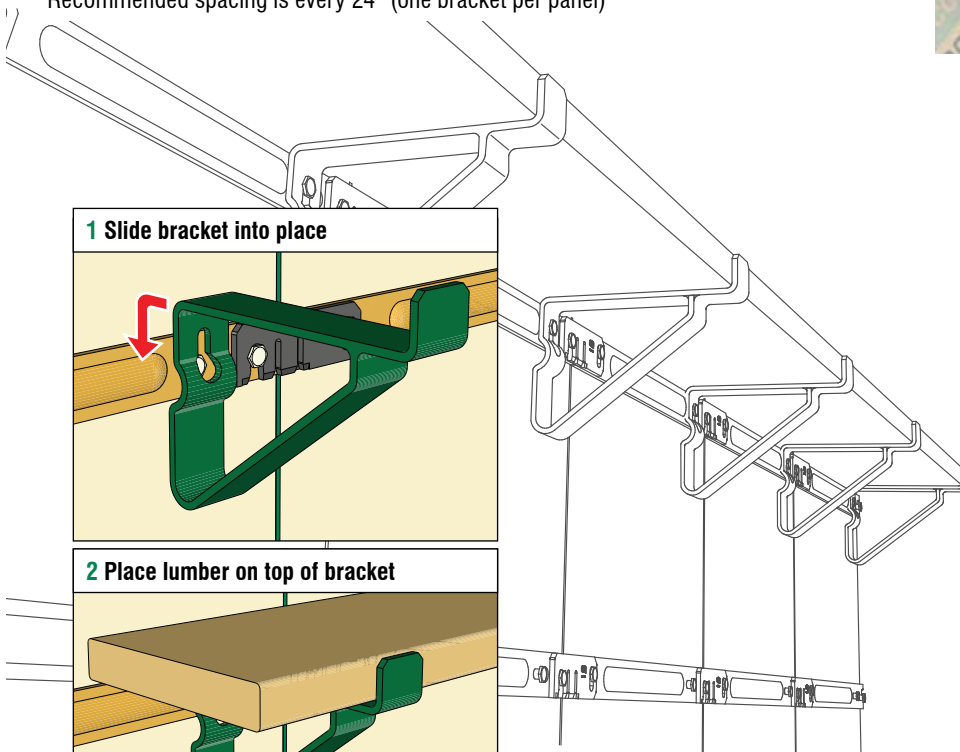
- Single piece of stamped and formed steel
- Single weld joint-
- Painted green
- Chamfered corners

### INSTALLATION:

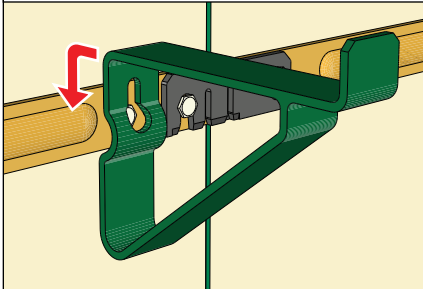
- Slide bracket over accessory "button" on 1-1/8" forms
- Ensure the bracket is fully seated on the shoulder of the button
- Drop nominal lumber into place
- Optional: Drive a wooden wedge between bracket and lumber to help straighten the wall

### SPACING:

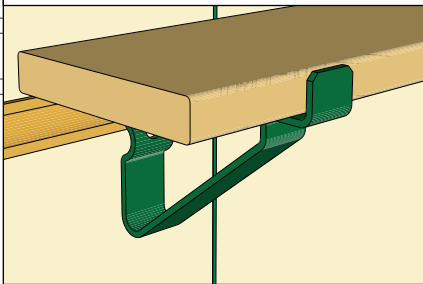
Recommended spacing is every 24" (one bracket per panel)



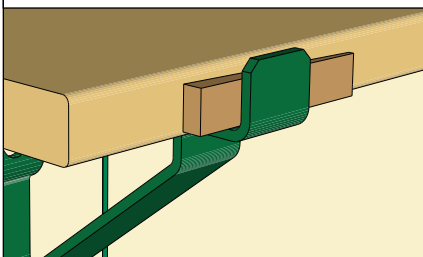
#### 1 Slide bracket into place



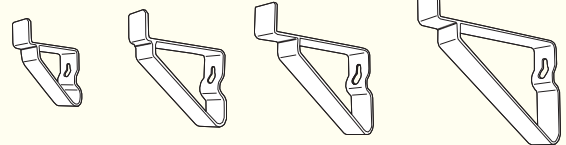
#### 2 Place lumber on top of bracket



#### 3 Optional: use wedge to secure lumber tightly against panel faces



### ORDER INFO



Product	WB-6	WB-8	WB-10	WB-12
Lumber Size	2"x 6"	2"x 8"	2"x 10"	2"x 12"
Actual Bracket Width	5-7/8"	7-7/16"	9-3/4"	11-11/16"
Box Quantity	10	10	10	10
Box Weight	24 lbs	32 lbs	38 lbs	44 lbs